

**结构特点 Design features**

- 单端面、平衡型、金属波纹管、集装式密封；
- 螺钉传动结构，任意旋向，压力均匀，结构简单、紧凑，安装方便，泄漏点少，密封性能可靠；
- Single face, balanced, metal bellows, cartridge seal.
- Driven by screws, any rotation direction, compact construction. It can be mounted conveniently.

**材料 Materials(to DIN24960)**

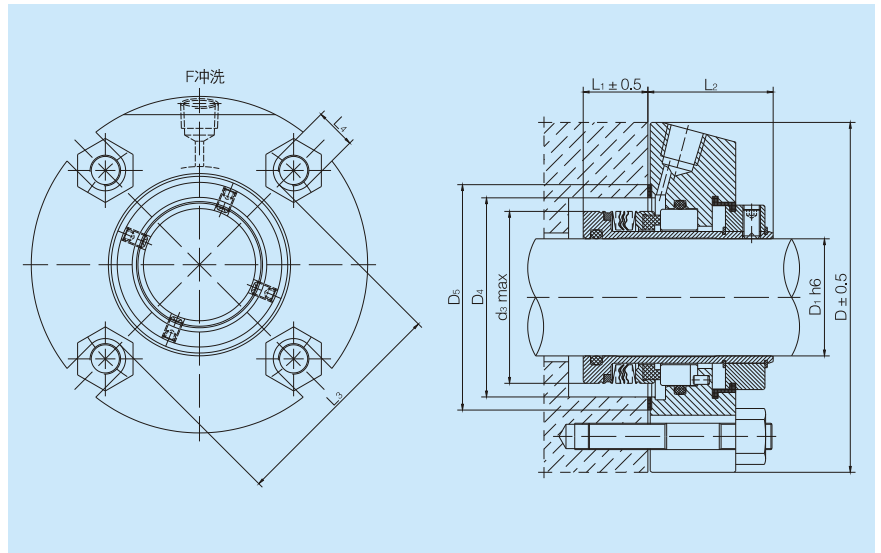
- 旋转环 Rotary Ring: A、B、Q12、Q22
- 静止环 Stationary Ring: Q1、Q2
- 辅助密封 Auxiliary Seal: V、E、M1
- 波纹管 Bellows: G1、Y
- 其他结构件材料 Other Parts: G

**适用范围 Operating limits**

- 压力 Pressure: 真空 Vacuum~2.0MPa
- 温度 Temperature: -30~200℃
- 线速度 Speeds: ≤25m/sec
- 粘度 Viscosity: ≤1.0Pa.s(1000cp)软对硬(Soft VS Hard)  
≤3.5Pa.s(3500cp)硬对硬(Hard VS Hard)

**介质 Medium**

油、水、盐、结晶酸、有机溶剂、高温流体、烃类及其它弱腐蚀性溶液。  
Oil, water, salt, crystallizing acid, organic solvent, hot-molten fluid, hydrocarbon and other weak corrosive fluid, etc.



型号Model	D1	D3	D4min	D4max	D5	D	L1	L2	L3	L4
SBS003-28	28	42.9	44.5	55.6	60.3	111.1	17.4	42.9	61.9	14.3
SBS003-33	33	49.2	50.8	55.6	60.3	106.0	17.4	39.7	61.9	14.3
SBS003-35	35	49.2	50.8	55.6	60.3	106.0	17.4	39.7	61.9	14.3
SBS003-38	38	55.6	57.2	65.1	69.8	130.2	19.0	42.9	71.5	14.3
SBS003-40	40	58.7	60.3	66.6	71.4	133.4	19.1	42.9	73.0	14.3
SBS003-43	43	61.9	63.5	74.6	79.4	133.4	19.1	42.9	81.0	14.3
SBS003-45	45	61.9	63.5	74.6	79.4	133.4	19.1	42.9	81.0	14.3
SBS003-48	48	65.1	66.7	77.8	82.6	136.5	19.1	42.9	84.2	14.3
SBS003-50	50	68.3	69.9	77.8	82.6	139.7	19.0	44.5	84.2	17.4
SBS003-53	53	71.4	73.0	84.1	88.9	138.0	22.2	42.9	90.5	17.4
SBS003-55	55	71.4	73.0	84.1	88.9	138.0	22.2	42.9	90.5	17.4
SBS003-60	60	81.0	82.6	92.1	96.8	158.8	25.4	41.3	98.4	17.4
SBS003-65	65	87.3	88.9	104.8	109.5	177.8	30.2	41.2	111.1	17.4
SBS003-70	70	92.1	93.7	109.5	114.3	190.0	27.0	41.2	115.9	17.5
SBS003-75	75	98.4	100.0	117.5	122.2	196.9	28.5	42.1	123.8	20.6
SBS003-80	80	104.8	106.4	120.6	125.4	190.0	28.5	42.1	127.0	20.6
SBS003-85	85	108.0	109.5	120.6	125.4	203.2	31.7	42.1	127.0	19.1
SBS003-100	100	128.6	130.2	149.2	154.0	228.6	34.9	42.1	155.6	22.2